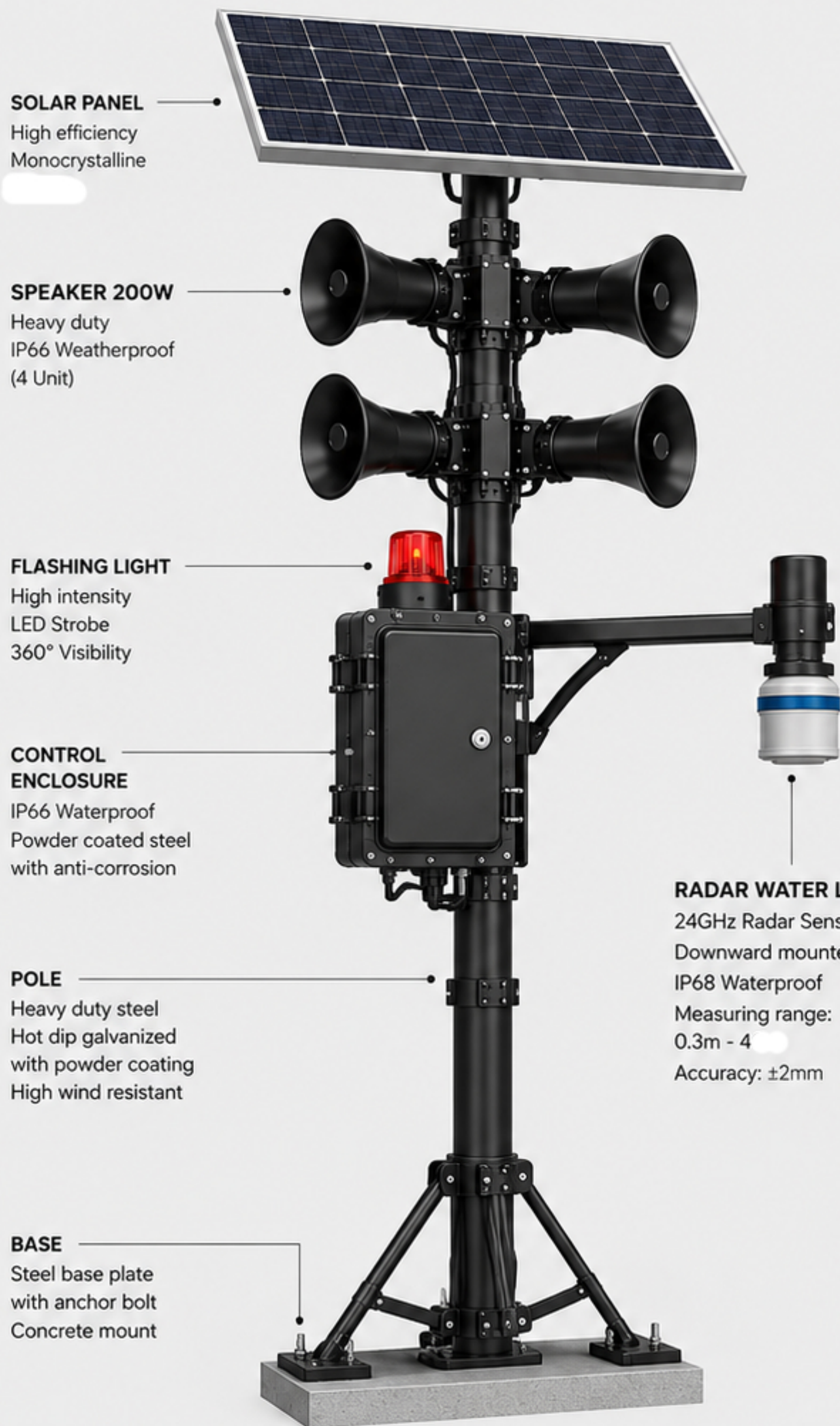


	WATERPROOF RATING	IP66
	WIND RESISTANCE	150 km/h
	OPERATING TEMP.	-20°C ~ 60°C
	MOUNTING	Concrete / Base Plate
	POWER SYSTEM	Solar + Battery





FRONT VIEW



SIDE VIEW



REAR VIEW

SPECIFICATION

Solar Panel	Monocrystalline
Battery	Deep Cycle LiFePO4 24V 40Ah
Speaker Output	200W x 4 (Total 800W)
Siren Type	Electronic Siren / Voice / Alarm
Flashing Light	LED Strobe Red (360°)
Radar Sensor	24GHz, Downward
Measuring Range	0.3m - 4m
Accuracy	±2mm
Enclosure	IP66 Waterproof
Material	Steel, Hot Dip Galvanized
Mounting	Concrete Base / Anchor Bolt
Operating Temp.	-30°C to +60°C
Protection	Surge Protection / Overcharge / Overdischarge / Short Circuit



HIGH OUTPUT
200W X 4
TOTAL 800W



RADAR SENSOR
DOWNWARD
WATER LEVEL



SOLAR POWERED
200W HIGH
EFFICIENCY



FLASHING LIGHT
360° HIGH
VISIBILITY



WEATHERPROOF
IP66 / IP68
ALL COMPONENTS



HEAVY DUTY
STRONG & DURABLE
ANTI-CORROSION