

WARNING & DANGER FLASHING LIGHT

HIGH VISIBILITY WARNING SYSTEM

High brightness LED flashing light designed for early warning system, emergency alert and industrial safety application.

- High Brightness LED
- Waterproof Design
- Heavy Duty Housing
- Low Power Consumption
- Long Life Operation
- Easy Installation



APPLICATION



PRODUCT VARIANT

RED



Model: EWL-R

AMBER



Model: EWL-A

SOLAR VERSION

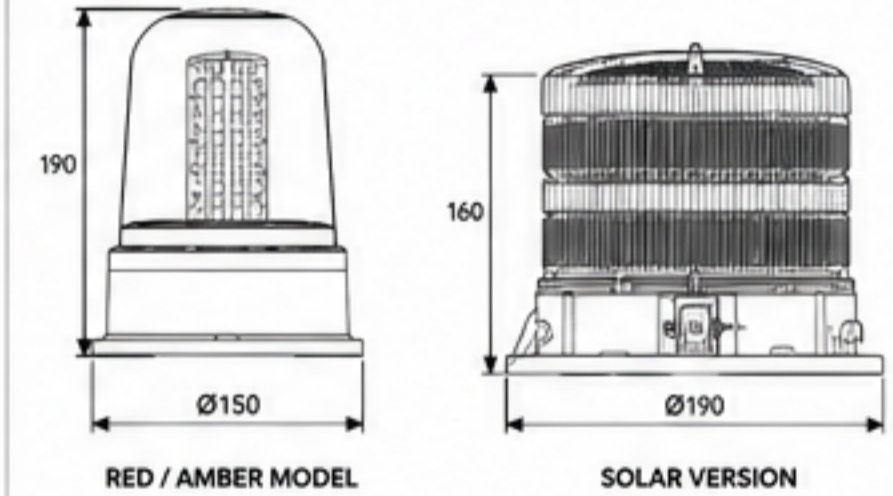


Model: EWL-S

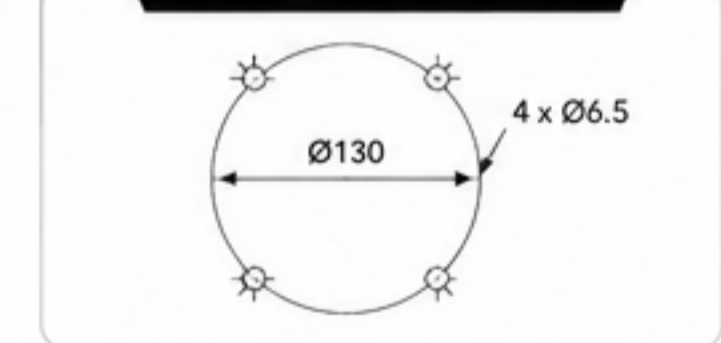
TECHNICAL SPECIFICATION

ITEM	SPECIFICATION
Product Type	Warning & Danger Flashing Light
Light Source	High Power LED
Light Color	Red / Amber
Operating Voltage	12VDC / 24VDC
Current Consumption	< 1.2A @ 12VDC / < 0.6A @ 24VDC
Flash Mode	Flashing / Strobe (60 - 90 times/min)
Lens Material	UV Stabilized Polycarbonate
Base Material	ABS Engineering Plastic
Protection Level	IP65
Operating Temperature	-20°C to +60°C
Mounting	Surface Mount (4 Holes)
Dimension (Ø x H)	150mm x 190mm (Red/Amber) 190mm x 160mm (Solar Version)
Weight	Red/Amber : 0.65kg Solar : 1.15kg
Lifespan	> 50,000 Hours
Warranty	1 Year

DIMENSION (mm)



MOUNTING HOLE (mm)



OPTIONAL FEATURES

- Solar Power System
- Remote Monitoring Dashboard
- GSM / LoRa Wireless Activation
- Battery Backup System
- Siren Integration
- Custom Flash Pattern

ORDERING INFORMATION

Model	Description
EWL-R-12V	Warning Light Red, 12VDC
EWL-R-24V	Warning Light Red, 24VDC
EWL-A-12V	Warning Light Amber, 12VDC
EWL-A-24V	Warning Light Amber, 24VDC
EWL-S-SOLAR	Warning Light Solar Powered

* All specifications are subject to change without prior notice.